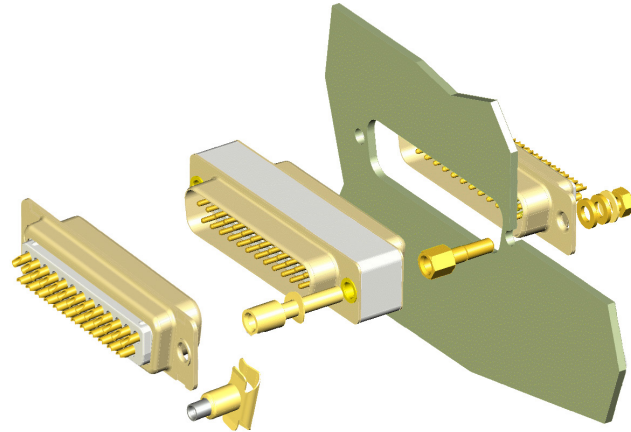


Features and Benefits

- Compliant with ESA specification 34010/085
- No tool to fix connector
- No torque value measurement
- No indicator marking
- Visual control of locking position

Typical Applications

- Space equipment
- Satellites harnesses and payloads



Specification

- Compliant to ESCC 3401/085 specifications
- Compatible with ESCC 3401/001 D*M connectors, 3401/002 D*MA connectors, 3401/080 D-Sub savers and 3401/080 Combo savers
- Compatible with part of ESCC 3401/022 and 3401/072 D-sub Backshells
- Suitable for use in Space and high performance applications: Board to Cable applications

Characteristics

CHARACTERISTIC	SPECIFICATION
Operating temperature range	-55 / +125°C
Storage temperature range	-55 / +125°C
Residual Magnetism Level	200 Gamma max.

Quality Level

- ESA / ESCC: code 3401 (Flying model)
- Qualification reviewed every 2 years

Note

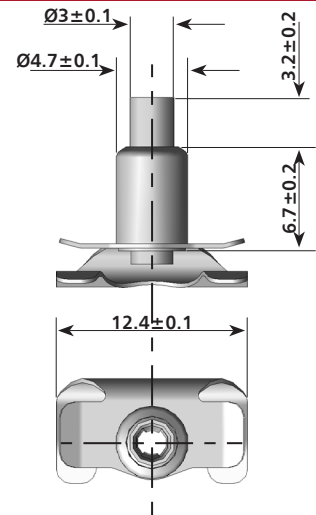
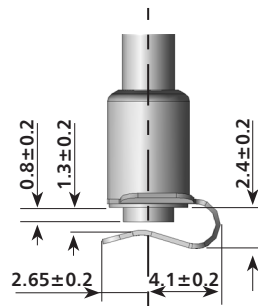
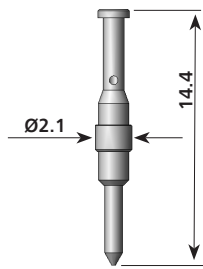
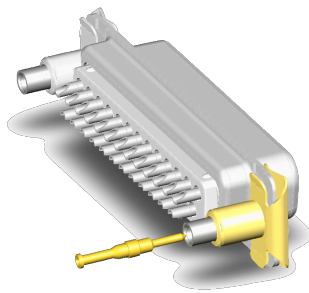
- The use of Security Pin to lock the Fast Locking Screw Lock Assembly is mandatory. Each Male Fast-Locking variants 01 and 02 are delivered with one Security Pin variant 06
- Backshells compatible with Male Fast-Locking variant 02 are listed below:
 - ESCC Detail Specification # 3401022: Variants 17 to 38, variants 81 to 83 and variants 90 to 94
 - ESCC Detail Specification # 3401072: Variants 05 to 14, variants 35 to 39, variants 46 to 50 and variants 61 to 65
- Before integrations, be sure to have enough space to use unlocking tools (take care with backshell outlet, cables...)

How to order

ESA/ESCC DESCRIPTION	DESCRIPTION	PACKAGING	Page #
340108501B	Male fast locking (for connector without backshell)	Packaged by 2	2
340108502B	Male fast locking (for connector with backshell)	Packaged by 2	2
340108503B	Female fast locking	Packaged by 2	3
340108504B	Savers fast locking	Packaged by 2	3
340108505B	Hybrid savers fast locking	Packaged by 2	4
340108506B	Security pin (for male fast lock 340108501B & 34018502B)	Packaged by 2	4
Fast Lock-Unlock Tool-01	Unlock Tool #1	Packaged by 1	5
Fast Lock-Unlock Tool-02	Unlock Tool #2	Packaged by 1	5

Traceability associated as per ESA/ESCC specifications

MALE FAST LOCKING - 340108501B (FOR CONNECTOR WITHOUT BACKSHELL)



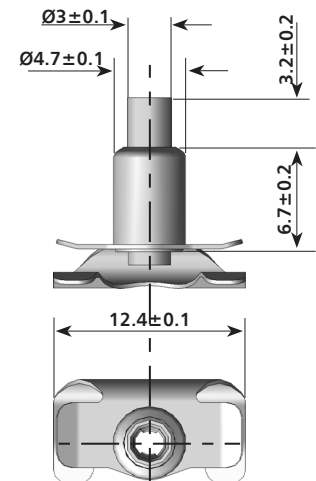
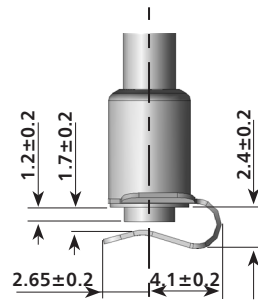
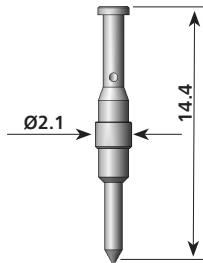
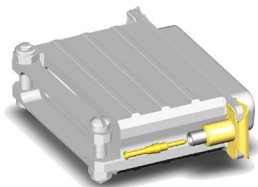
- Locking force: 15N max
- Kit consists of 1 male fast lock and 1 security pin
- Order 2 per connector

C&K Part Number: **C115366-2391**

ESA/ESCC Description: **340108501B**

COMPONENT	MATERIAL	FINISH
Body and Staple	Copper alloy	0.7 µm min. Gold over 0.1 µm min. Copper underlay
Button	Stainless Steel type 303	Passivated
Inner Clip & Spring	Beryllium Copper	
Security Pin	Copper alloy	1.27 µm min. Gold over 1 µm min. Copper

MALE FAST LOCKING - 340108502B (FOR CONNECTOR WITH BACKSHELL)



- Locking force: 15N max
- Kit consists of 1 male fast lock and 1 security pin
- Order 2 per connector

C&K Part Number: **C115366-2392**

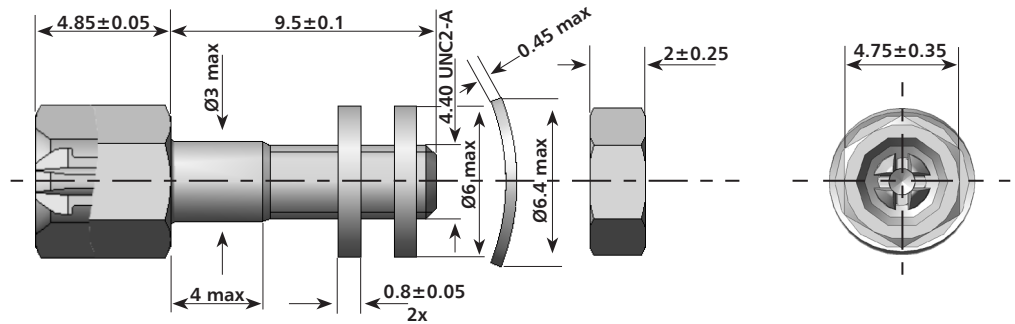
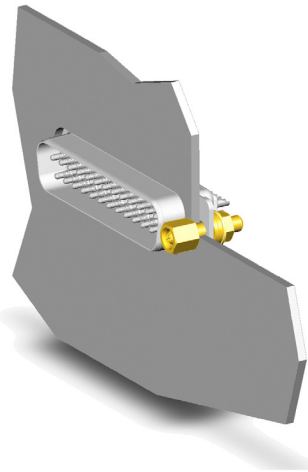
ESA/ESCC Description: **340108502B**

COMPONENT	MATERIAL	FINISH
Body and Staple	Copper alloy	0.7 µm min. Gold over 0.1 µm min. Copper underlay
Button	Stainless Steel type 303	Passivated
Inner Clip & Spring	Beryllium Copper	
Security Pin	Copper alloy	1.27 µm min. Gold over 1 µm min. Copper



Dimensions shown in: mm
Specifications and dimensions subject to change

FEMALE FAST LOCKING - 340108503B



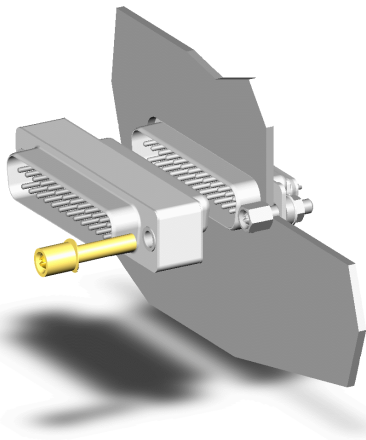
- Torque value: 4.65 ± 0.25 cm.daN
- Kit consists of 1 bushing and 1 washer
- Order 2 per connector

C&K Part Number: **C115366-2393**

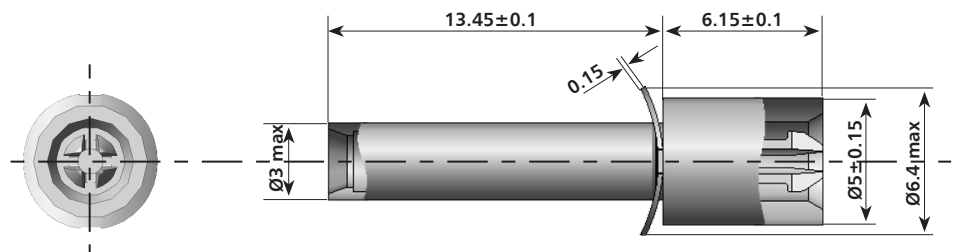
ESA/ESCC Description: **340108503B**

COMPONENT	MATERIAL	FINISH
Sleeve	Copper alloy	0.7 μ m min. Gold over 0.1 μ m min. Copper underlay
Internal Clip	Beryllium Copper	0.7 μ m min. Gold over 0.1 μ m min. Copper underlay
Spring	Beryllium Copper	
Unlock Axis	Stainless Steel type 303	Passivated
Washer	Beryllium Copper	0.7 μ m min. Gold over 0.1 μ m min. Copper underlay

SAVERS FAST LOCKING - 340108504B



Used when the connector on panel is fixed with the standard ESCC 340108503 female variants



- Locking Force: 15N max
- Kit consists of 1 bushing and 1 washer
- Order 2 per connector

C&K Part Number: **C115366-2394**

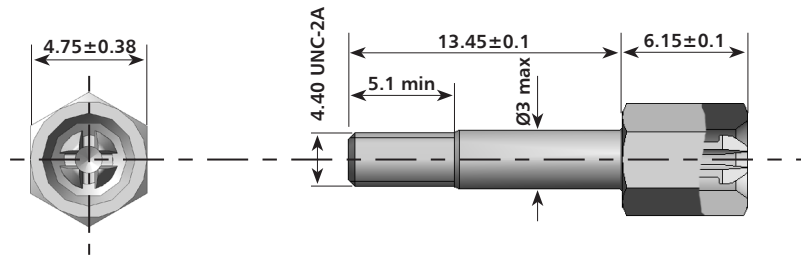
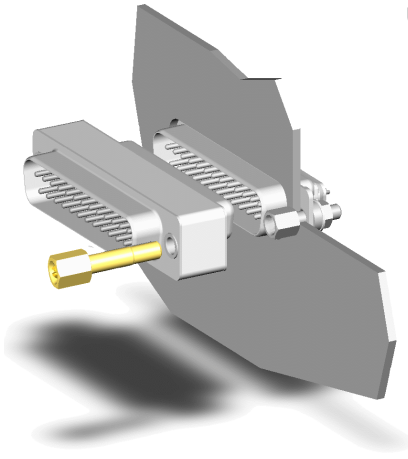
ESA/ESCC Description: **340108504B**

COMPONENT	MATERIAL	FINISH
Sleeve	Copper alloy	0.7 μ m min. Gold over 0.1 μ m min. Copper underlay
Internal Clip	Beryllium Copper	0.7 μ m min. Gold over 0.1 μ m min. Copper underlay
Spring	Beryllium Copper	
Unlock Axis	Stainless Steel type 303	Passivated
Washer	Beryllium Copper	0.7 μ m min. Gold over 0.1 μ m min. Copper underlay

Dimensions shown in: mm
Specifications and dimensions subject to change

HYBRID SAVERS FAST LOCKING - 340108505B

Used when the connector on panel is fixed with the standard ESCC 3401022 female variants



- Torque value: 3.55 ± 0.25 cm.daN
- Kit consists of 1 bushing
- Order 2 per connector

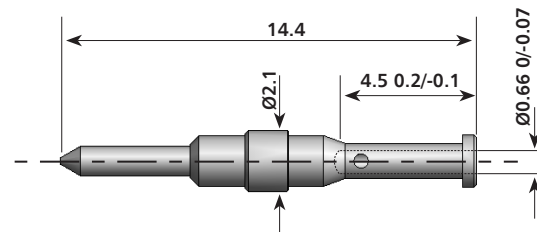
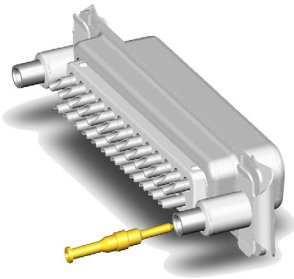
C&K Part Number: **C115366-2395**

ESA/ESCC Description: **340108505B**

COMPONENT	MATERIAL	FINISH
Sleeve	Copper alloy	0.7 μ m min. Gold over 0.1 μ m min. Copper underlay
Internal Clip	Beryllium Copper	0.7 μ m min. Gold over 0.1 μ m min. Copper underlay

SECURITY PIN - 340108506B (FOR MALE FAST LOCK 340108501B & 340108502B)

The security pin shall be released using the standard D*MA extraction tool



- Kit consists of 1 pin

C&K Part Number: **C115366-2397**

ESA/ESCC Description: **3401085026**

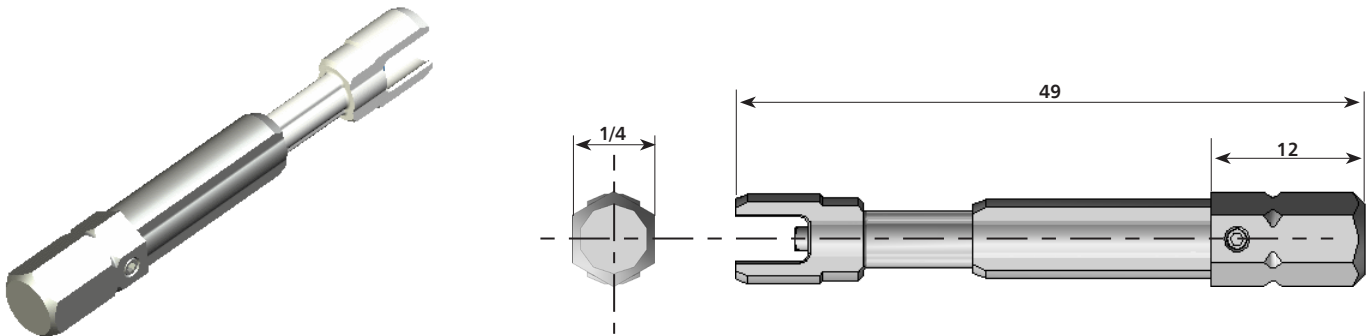
COMPONENT	MATERIAL	FINISH
Security Pin	Copper alloy	1.27 μ m min. Gold over 0.1 μ m min. Copper underlay



Dimensions shown in: mm
Specifications and dimensions subject to change

ACCESSORY - UNLOCK TOOL #1

Used to unlock Male Fast Locking 340108501B and 340108502B

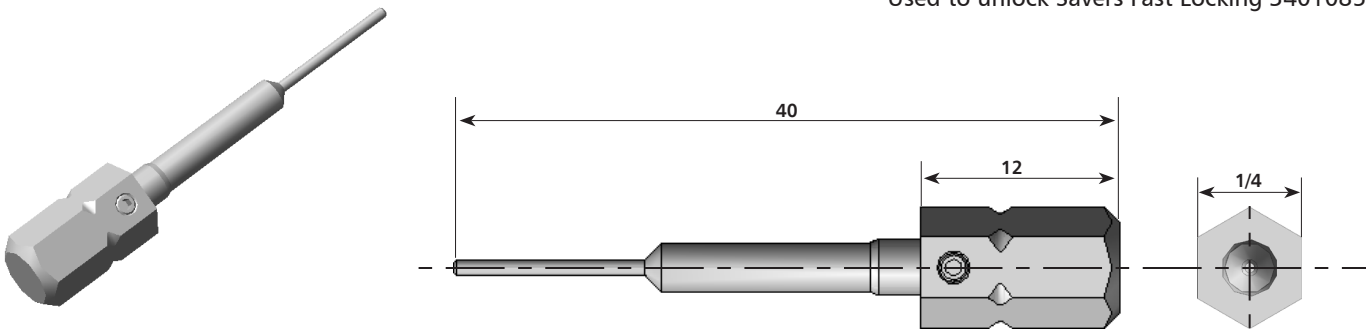


C&K Part Number: **C274-8815-000**

ESA/ESCC Description: **FAST LOCK-UNLOCK TOOL-01**

ACCESSORY - UNLOCK TOOL #2

Used to unlock Savers Fast Locking 340108504B



C&K Part Number: **C274-8815-009**

ESA/ESCC Description: **FAST LOCK-UNLOCK TOOL-02**

Dimensions shown in: mm
Specifications and dimensions subject to change

AMERICAS

Tel: +1.617.969.3700

ASIA

Tel: +852.3713.5288

EUROPE

Tel: +33.1.60.24.51.51

